

# Current Switches

## Solid and Split Core Current Switches



All of these sensors have a solid-state output with an adjustable or fixed trip point (setpoint). These current switches should be used in applications in which a “Go/No Go” current switch is required. The current switches can be used to monitor devices with a maximum continuous operating current of up to 250 Amps. These current switches do not need to be externally powered, since the power for the switch is induced from the conductor being monitored. The split core switches are ideal for retrofit or existing installations, since it is not necessary to power down the unit and disconnect any wires during the installation process. Solid core switches are extremely easy to install, they are an excellent choice for new installations.

- Solid or split core switches with fixed or adjustable trip points
- Very low operating trip points
- LED status indication
- Integral DIN rail mounting flange
- Accepts up to a 350 MCM (17.3 mm) cable
- Operates up to 250 continuous amps
- RoHS and WEEE Compliant
- Limited 5 year warranty

**Application:** Great for monitoring fans, pumps, motors, compressors, or other electrical equipment

**Dimensions, Approximate:** 2 45/64 in. high x 3 21/64 in. wide x 1 5/64 in. deep (69 mm high x 85 mm wide x 25 mm deep)

**Din Rail Size:** 1-3/8 in. (35 mm)

**Enclosure Rating/Color:** UL94-5V/Burgundy

**Isolation Voltage:** 2200 Vac

**Supply Voltage:** Induced from monitored conductor

**Frequency:** 40 Hz to 1 kHz

**Operating Temperature Range:** 5 F to 104 F (-15 C to 40 C)

**Operating Humidity Range (% RH):** 0 to 95% RH, non-condensing

**Weight:** 0.23 lb (0.1 kg)

**Approvals**

CE: Approved

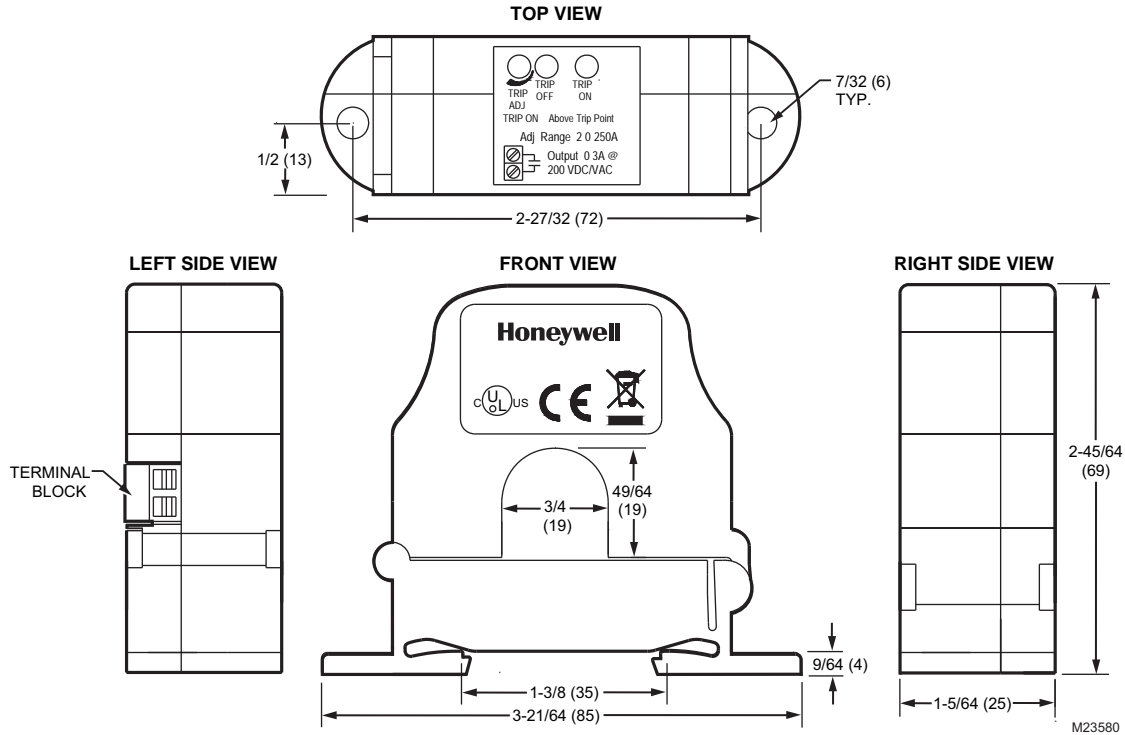
Underwriters Laboratories, Inc: Approved

**Environmental Compliance:** RoHS-Directive 2002/95/EC, WEEE-Directive 2002/96/EC

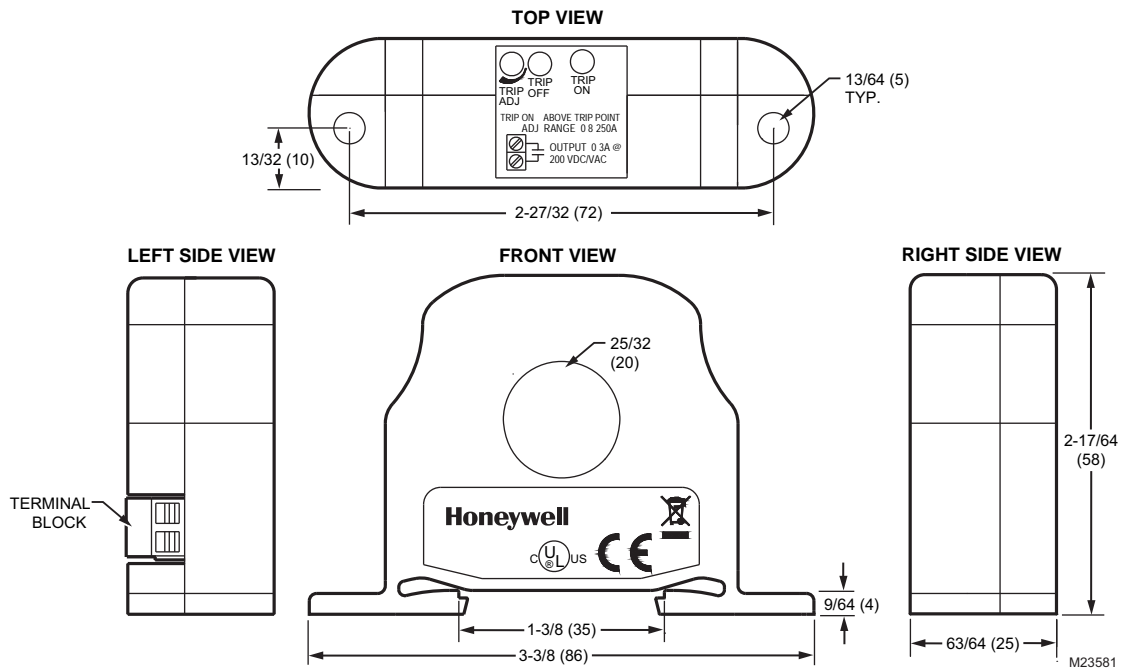
Product Number	Description	Core Type	Normal Position	Output Switch Rating	Operating Range	Trip Point	LEDs
CSP-C-A200-001/U	Adjustable Current Switch	Split	N.C.	0.15 Amps @ 300 Vac/Vdc	0-250A	2.5-250 Amps	Green – Below the trip point; Red – Above the trip point
CSP-O-A200-001/U	Adjustable Current Switch	Split	N.O.	0.30 Amps @ 200 Vac/Vdc	0-250A	2.0-200 Amps	Green – Below the trip point; Red – Above the trip point
CSP-O-A300-001/U	Adjustable Current Switch	Split	N.O.	0.30 Amps @ 200 Vac/Vdc	0-250A	3.0-200 Amps	Green – Below the trip point; Red – Above the trip point
CSP-O-F10-001/U	Go/No Go Current Switch	Split	N.O.	0.30 Amps @ 200 Vac/Vdc	0-200A	1.50 Amps	Red – Above the trip point
CSP-O-F15-001/U	Go/No Go Current Switch	Split	N.O.	0.30 Amps @ 200 Vac/Vdc	0-200A	2.50 Amps	Red – Above the trip point
CSS-C-F1-001/U	Go/No Go Current Switch	Solid	N.C.	0.15 Amps @ 300 Vac/Vdc	0-250A	0.50 Amps	Red – Above the trip point
CSS-C-F5-001/U	Go/No Go Current Switch	Solid	N.C.	0.15 Amps @ 300 Vac/Vdc	0-250A	1.00 Amps	Red – Above the trip point
CSS-O-A200-001/U	Adjustable Current Switch	Solid	N.O.	0.30 Amps @ 200 Vac/Vdc	0-200A	0.5-250 Amps	Green – Below the trip point; Red – Above the trip point
CSS-O-A300-001/U	Adjustable Current Switch	Solid	N.O.	0.30 Amps @ 200 Vac/Vdc	0-200A	1.0-250 Amps	Green – Below the trip point; Red – Above the trip point
CSS-O-F1-001/U	Go/No Go Current Switch	Solid	N.O.	0.30 Amps @ 200 Vac/Vdc	0-250A	0.20 Amps	Red – Above the trip point
CSS-O-F5-001/U	Go/No Go Current Switch	Solid	N.O.	0.30 Amps @ 200 Vac/Vdc	0-250A	0.50 Amps	Red – Above the trip point

# Current Switches

## Split Core Dimensions in inches (millimeters)



## Solid Core Dimensions in inches (millimeters)



Commercial  
Components